

## SERVICE REPORT

CUSTOMER/LAB NAME:	A91par Diagnostic Centre	DATE:-	1/04/2022
ADDRESS:-	Rajkot	Ref. NO.:	01131

-: MACHINE DETAILS:-

MACHINE :	Urine Analyser
MODEL NO.:	YD-200
MACHINE SR. NO.:	200191104048
REPORTED BY:	Sachin Kadavale
TYPE OF SERVICE:	P.m. Visit

PROBLEM REPORTED:	PROBLEM IDENTIFIED:
1. P.m. Visit	1. Routine Service
2.	2.
	3.

ACTION TAKEN:	
1. Calibration of YD-200 performed Successfully	
2.	
3. Attached: 1) Calibration 2) Result	

PARTS REPLACED IF ANY :	YES <input type="checkbox"/>	NO <input checked="" type="checkbox"/>
-------------------------	------------------------------	--

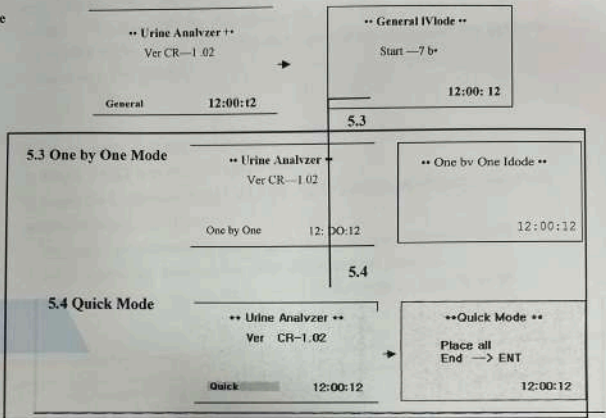
PART NAME:	MODEL NO.:	LOT NO.:

CUSTOMER REMARKS:	

SERVICE ENGINEER: Sachin Kadavale CUSTOMER: \_\_\_\_\_  
 SIGNATURE: \_\_\_\_\_ SIGNATURE: \_\_\_\_\_  
 DATE & TIME: \_\_\_\_\_ DATE & TIME: \_\_\_\_\_



5.2 General Mode



**5.1 Calibration**

The Urine Analyzer is factory calibrated before shipment by the manufacturer. Checking the instrument should be done prior to first use and then the same process from the 2<sup>nd</sup> time can be recommended to do in every 4 weeks with Check Strip in the package. Check strip is used for checking aging processes of the optical system and variation of other internal conditions of instrument. When strong variation is detected which may be caused, for instance, by contamination of the reference pad or low light intensity of a defective light source, an error



The Calibration Strips are plastic white standard strips with defined and constant reflectance characteristics. The Calibration Strip should remain in the vial until use and should be used only once. Do not touch in the middle areas of the strip. The plate should be clean and dry before a calibration is performed.

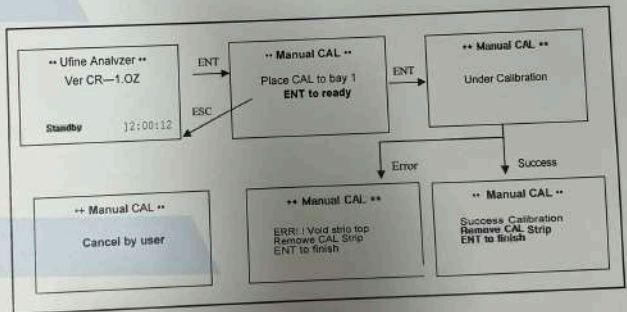
For calibration, proceed as follows:

1. Press < ENT > in the 'Standby' mode.
2. Insert the 'Calibration Strip (CAL)' into the 1<sup>st</sup> position of Strip Loading Plate and then press < ENT >.

The calibration checking procedure can be stopped by pressing < ESC >.

3. After calibration finished, the result of calibration print out.

If the calibrations values are between  $333 \pm 10$  (323 - 343), it is OK.



REF R=332 G=332 B=334  
 LIBI R=332 G=332 B=334  
 N11 B=31V E 332 B G84  
 URO R=323 G=532 I3=884  
 PRO R=332 G=332 B=334  
 pH R=331 G=332 B=335  
 BLD R=332 G=332 B=334  
 S.G R=331 G=332 B=335  
 KET R=332 G=332 B=334  
 BIL R=332 G=332 B=334  
 GLU R=U G=532 B=035  
 YEC R=N32 G=333 R=23a

TOP C=332 G=.32 D=955  
 BETH=331 G=552 B=834  
 CSWV4.100138)



**ADITYA ENTERPRISE**