

SERVICE REPORT

CUSTOMER/LAB NAME:	Arapar Diagnostic Center	DATE:-	1/04/2022
ADDRESS:-	Rajkot	Ref. NO.:	01131

--: MACHINE DETAILS:--

MACHINE :	Urine Analyser
MODEL NO.:	YD-200
MACHINE SR. NO.:	200191104048
REPORTED BY:	Sachin Kadavale
TYPE OF SERVICE:	P.M. Visit

PROBLEM REPORTED:	PROBLEM IDENTIFIED:
1. P.M. Visit	1. Routine Service
2.	2.
	3.
ACTION TAKEN:	
1. Calibration of YD-200 performed Successfully	
2.	
3. Attached :- 1) Calibration 2) Result	
PARTS REPLACED IF ANY :	
YES <input type="checkbox"/> NO <input checked="" type="checkbox"/>	
PART NAME:	MODEL NO.:
	LOT NO.:
CUSTOMER REMARKS:	

SERVICE ENGINEER: Sachin Kadavale CUSTOMER: Dr. Anil Sewali
SIGNATURE: _____ SIGNATURE: _____
DATE & TIME: 01/04/22 DATE & TIME: 01/04/22



CALIBRATION CERTIFICATE

Ref. NO.:- 01131

CUSTOMER NAME:	ARPAN DIAGNOSTIC CENTRE		
ADDRESS:-	S V COMPLEX, NR RAJ BANK, INDIRA CIRCLE, RAJKOT		
DATE:	01/04/2022	NEXT CALIB. DATE:	31/03/2023

:- MACHINE DETAILS:-

MACHINE:	URINE ANALYSER
MODEL NO.:	YD-200
MACHINE SR. NO.:	200191104048
REPORTED BY:	SACHIN KADOVALE

Sr. No.	Check Points	Status	Date
1	Test Strip Transmission.	OK	01/04/2022
2	Test Strip reading Mechanism.	OK	01/04/2022
3	Strip holder moment calibration.	OK	01/04/2022
4	Optical System.	OK	01/04/2022
5	Result and coordinate Backup	OK	01/04/2022

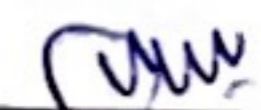
CUSTOMER REMARKS: _____

SERVICE ENGINEER: SACHIN KADOVALE

SIGNATURE: 

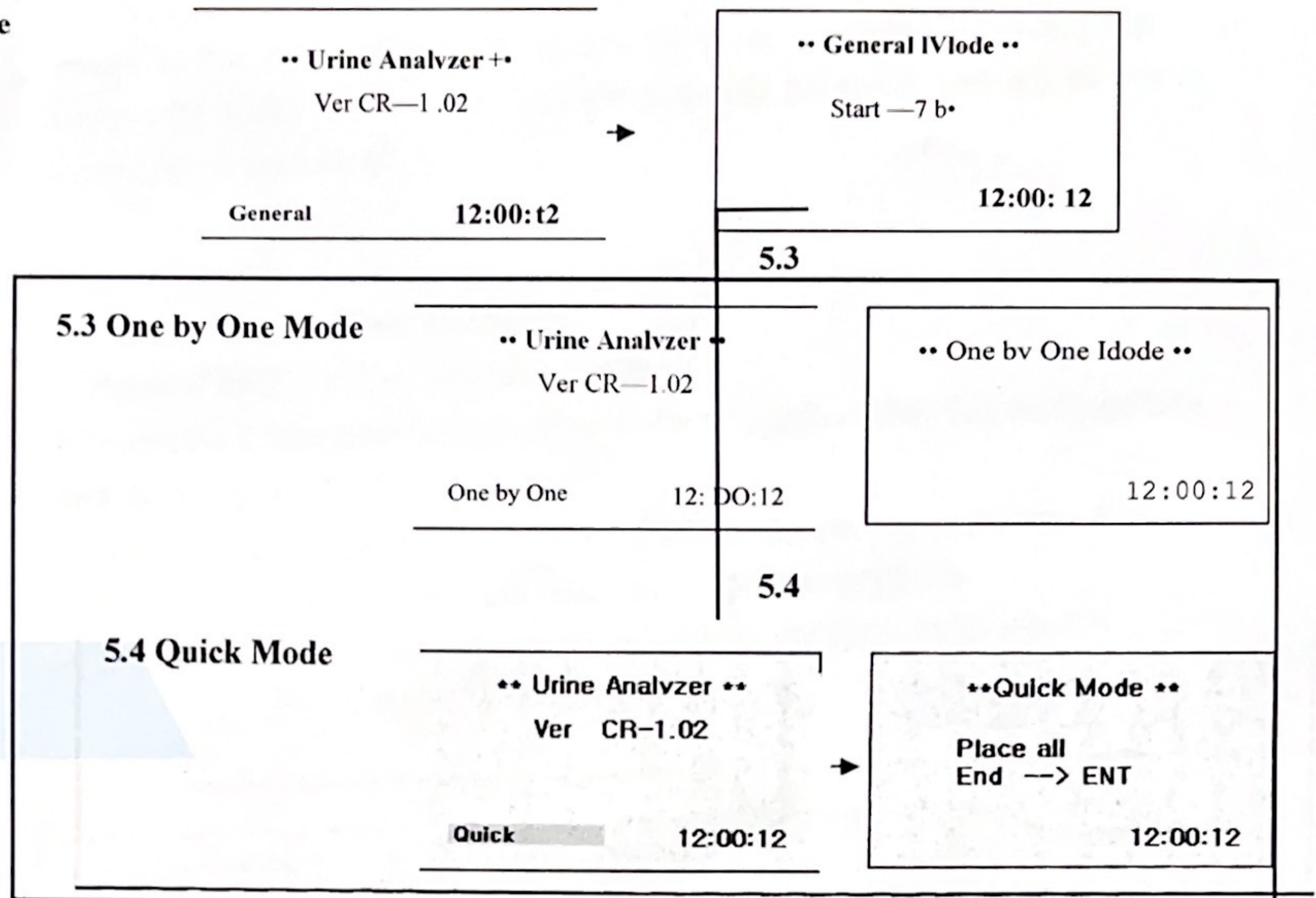
DATE & TIME: 01/04/2022

CUSTOMER: DR ANIL SAVALIYA

SIGNATURE: 

DATE & TIME: 01/04/2022

5.2 General Mode



5.1 Calibration

The Urine Analyzer is factory calibrated before shipment by the manufacturer. Checking the instrument should be done prior to first use and then the same process from the 2nd time can be recommended to do in every 4 weeks with Check Strip in the package. Check strip is used for checking aging processes of the optical system and variation of other internal conditions of instrument. When strong variation is detected which may be caused, for instance, by contamination of the reference pad or low light intensity of a defective light source, an error



ADITYA ENTERPRISE

📍 " Shreeji "Shakti Nagar, Opp. Parimal School, Kalawad Road, Rajkot - 360005. ☎ +91 99090 40981

✉ aditya.enterprise10@gmail.com

The Calibration Strips are plastic white standard strips with defined and constant reflectance characteristics. The Calibration Strip should remain in the vial until use and should be used only once. Do not touch in the middle areas of the strip. The plate should be clean and dry before a calibration is performed.

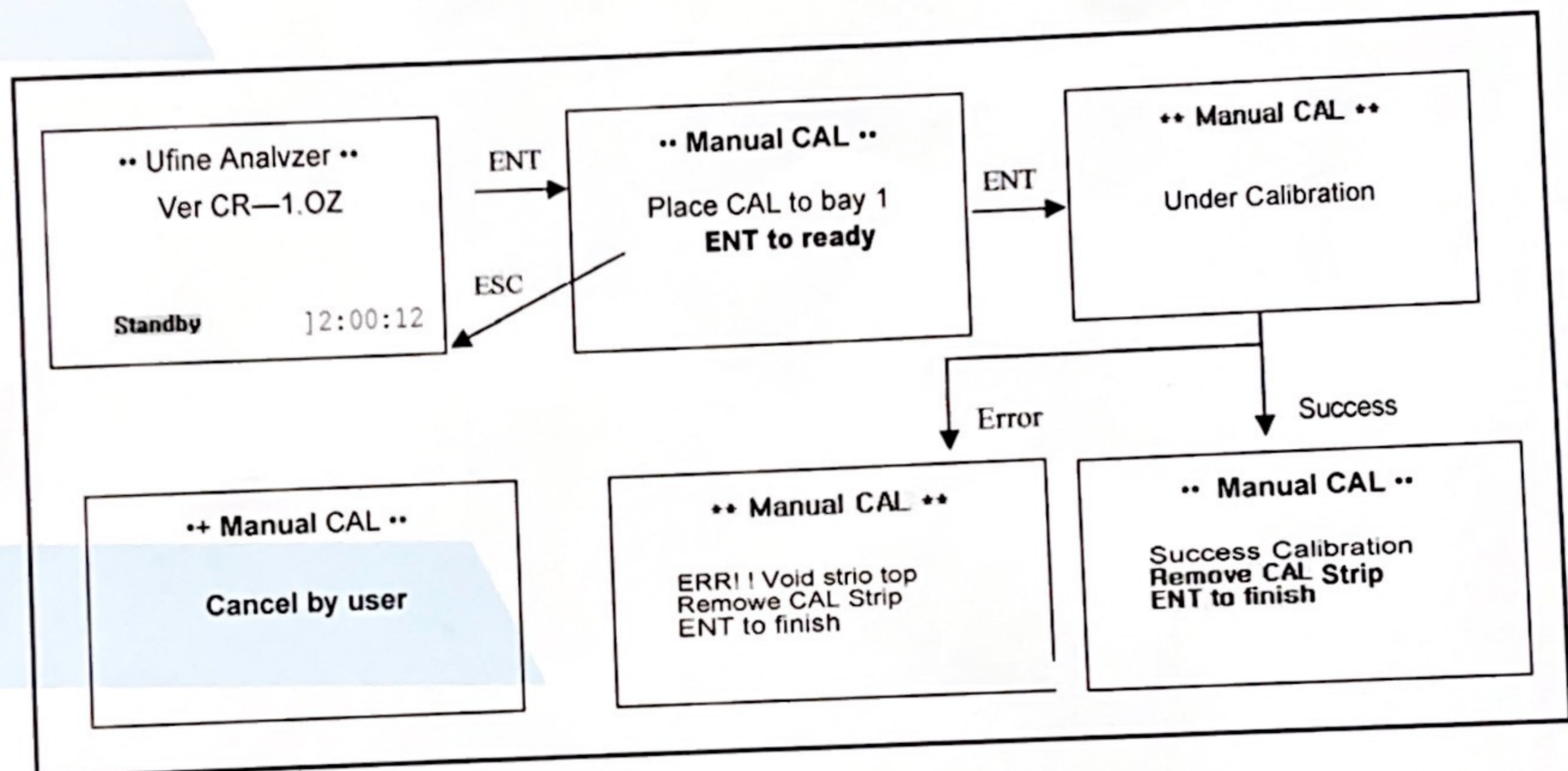
For calibration, proceed as follows:

1. Press < ENT » in the 'Standby' mode.
2. Insert the 'Calibration Strip(CAL)' into the 1* position of Strip Loading Plate and then press < ENT ».

The calibration checking procedure can be stopped by pressing <ESC>.

3. After calibration finished, the result of calibration print out.

If the calibrations values are between 333 ± 10 (323 - 343), it is OK.



ADITYA ENTERPRISE

" Shreeji "Shakti Nagar, Opp. Parimal School, Kalawad Road, Rajkot - 360005. ☎ +91 99090 40981

✉ aditya.enterprise10@gmail.com

1/04/2022



REF R=332 G=332 B=334
LEU R=332 G=332 B=334
NTI B=31y E 332 B G84
URO R=323 G=532 I3=BS4
PRO R=332 G=332 B=334
pH R=331 G=332 B=335
BLD R=332 G=332 B=334
S.G R=331 G=332 B=335
KET R=332 G=332 B=334
BIL R=332 G=332 B=334
GLU R-U G=532 B=035
YEC R=N32 G=333 R=Z3a

TOP C=332 G=.32 D=955
BETH=33I G=-'552 B=S34
CSWV4.100I38)



ADITYA ENTERPRISE

📍 " Shreeji "Shakti Nagar, Opp. Parimal School, Kalawad Road, Rajkot - 360005. ☎ +91 99090 40981

✉ aditya.enterprise10@gmail.com

Urine Routine Analysis

ALL METHOD REPORT

Lab Code: 2449

Cycle - 11/2022
Round No -4

Date: 30/04/2022

Parameters	Units	No.of. Participants	Consensus		Consensus Result	Your Value	Remark
			Number	%			
Specific Gravity	-	217	205	94%	1.010-1.020	1.020	Within Consensus
pH	-	218	196	90%	6.0	6.0	Within Consensus
Leukocytes	/μl	212	210	99%	Negative	Negative	Within Consensus
Nitrite	-	209	204	98%	Negative	Negative	Within Consensus
Protein	mg/dl	218	215	99%	Negative	Negative	Within Consensus
Glucose	mg/dl	218	218	100%	Negative	Negative	Within Consensus
Ketones	-	218	218	100%	Negative	Negative	Within Consensus
Urobilinogen	mg/dl	216	215	100%	Negative	Negative	Within Consensus
Bilirubin	mg/dl	216	212	98%	Negative	Negative	Within Consensus
Blood (Hemoglobin)	/μl	215	214	99%	Negative	Negative	Within Consensus

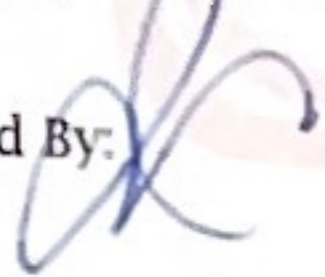
Legends	≥ 60% Consensus	(*) Outside Consensus	(@) No Consensus	(.) Not Reported	(#)Late Result Submission
---------	-----------------	-----------------------	------------------	------------------	---------------------------

Chief Coordinator



Dr.Sanjay Mehrotra

Checked By:



Prepared By: SK

Programme Director



Dr.Bandana Mehrotra

Page 1 of 4