



CERTIFICATE OF CALIBRATION



No. 301/A, 9th Main Road, 3rd Cross, Rajiv Gandhi Nagar, J.B. Kaval, Nandhini Layout Post, Bangalore - 560 096.
Ph : 080-23377266, Mob : 9986586789 / 9632221171 / 9964308118 | Email : info@viplgroup.com Web : www.viplgroup.com

NABL Accredited Calibration Lab as per ISO/IEC 17025 : 2017 With vide Certificate No: CC-2473

1 Name and Address of the Customer

M/s.: Energon Health.,
703, 3rd Cross Road, HRBR Layout, 1st Block,
Kalyan Nagar, Bangalore, Karnataka - 560 043.

2 Customer Reference

2.1 ULR No : CC247324500055186F
2.2 SRF No. : 1196
2.3 Certificate No. : VI/24-25/1196-01
2.4 Format No. : VI-FRM-TH-006
2.5 Date of issue : 01-07-2024

3 Details Of Device Under Calibration(DUC).

3.1 Nomenclature : Temperature Indicator with Sensor of Refrigerator
3.2 Make : Whirlpool
3.3 Id. No. : EH/REF-02
3.4 Range / Resolution : 2 to 8 °C / 0.1 °C
3.5 DUC Condition : Satisfactory
3.6 Calibration Procedure No. : SOP-38-06
3.7 No.of Pages : 2
3.8 Calibration Date : 28-06-2024
3.9 Calibration Due : 27-06-2025
3.10 Calibration done at : Onsite
3.11 Instrument Location : Lab
3.12 Discipline : Thermal

4 Environmental Condition

Temperature 23.2 - 25.5°C Humidity 51 - 58 %RH

5 Standards Used for Temperature Calibration

Sl. No.	Nomenclature	Make / Model	ID.No	Cal Agency	Certificate. No.	Validity
1	Paperless Recorder	Brain Child / PR-20	VII/OS/PR-06	VI, Bangalore	VI/24-25/INT-ET-424	11-10-2024
2	RTD Sensor	Frontier / ---	VII/RTD-01	VI, Bangalore	VI/23-24/INT-TH-100-01	12-08-2024

Note:

- The Calibration Certificate relates only to the above DUC
- Publication or reproduction of this Certificate in any form other than by complete set of the whole report & in the language, written, is not permitted without the written consent of VI.
- Corrections/erasing, invalidate the Calibration Certificate.
- Calibration of the DUC are traceable to National standards/International Standards
- Any error in this Certificate should be brought to our knowledge within 30 days from the date of this Cert.
- Results Reported are valid at the time of and under the stated conditions of measurements.
- The usage of NABL Symbol is as per NABL guidelines given in NABL-133

Calibrated By

Shivu

(Calibration Engineer)

Checked By

Umesh D

(Onsite In Charge)



Gangadhar C K

CERTIFICATE OF CALIBRATION



No. 301/A, 9th Main Road, 3rd Cross, Rajiv Gandhi Nagar, J.B. Kaval, Nandhini Layout Post, Bangalore - 560 096.
Ph : 080-23377266, Mob : 9986586789 / 9632221171 / 9964308118 | Email : info@viplgroup.com Web : www.viplgroup.com

NABL Accredited Calibration Lab as per ISO/IEC 17025 : 2017 With vide Certificate No: CC-2473

Certificate No. VI/24-25/1196-01

Page: 2 of 2

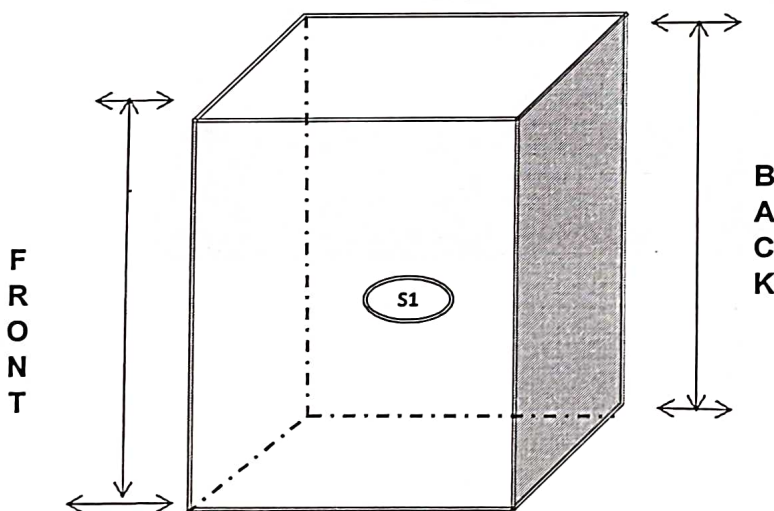
Results:

Range : 2 to 8 °C

Resolution : 0.1 °C

SI No	STD Reading (°C)	DUC Set (°C)	Error Observed (°C)	Measurement Uncertainty ± (°C)	k Factor
1	2.1	2.0	-0.1	0.732	2.0
2	4.1	4.0	-0.1	0.732	2.0
3	6.2	6.0	-0.2	0.732	2.0
4	8.2	8.0	-0.2	0.732	2.0

Pictorial Representation of Sensors Placement



Note : 1. S1 Indicates Placement of Standard Sensor

Conclusion / Remarks:

1 Measurement Uncertainty reported is at 95.45% confidence level with k = 2.

Calibrated By


Shivu
(Calibration Engineer)

Checked By


Umesh D
(Onsite In Charge)

Authorised By


Gangadhar C.K



CERTIFICATE OF CALIBRATION



No. 301/A, 9th Main Road, 3rd Cross, Rajiv Gandhi Nagar, J.B. Kaval, Nandhini Layout Post, Bangalore - 560 096.

Ph : 080-23377266, Mob : 9986586789 / 9632221171 / 9964308118 | Email : info@viplgroup.com Web : www.viplgroup.com

NABL Accredited Calibration Lab as per ISO/IEC 17025 : 2017 With vide Certificate No: CC-2473

1 Name and Address of the Customer

M/s.: Energon Health.,
703, 3rd Cross Road, HRBR Layout, 1st Block,
Kalyan Nagar, Bangalore, Karnataka - 560 043.

2 Customer Reference

2.1 ULR No : CC247324500055187F
2.2 SRF No. : 1196
2.3 Certificate No. : VI/24-25/1196-02
2.4 Format No. : VI-FRM-TH-006
2.5 Date of issue : 01-07-2024

3 Details Of Device Under Calibration(DUC).

3.1 Nomenclature : Temperature Indicator with Sensor of Refrigerator
3.2 Make : Samsung
3.3 Id. No. : EH/REF-01
3.4 Range / Resolution : 2 to 8 °C / 0.1 °C
3.5 DUC Condition : Satisfactory
3.6 Calibration Procedure No. : SOP-38-06
3.7 No.of Pages : 2
3.8 Calibration Date : 28-06-2024
3.9 Calibration Due : 27-06-2025
3.10 Calibration done at : Onsite
3.11 Instrument Location : Lab
3.12 Discipline : Thermal

4 Environmental Condition

Temperature 23.2 - 25.5°C Humidity 51 - 58 %RH

5 Standards Used for Temperature Calibration

Sl. No.	Nomenclature	Make / Model	ID.No	Cal Agency	Certificate. No.	Validity
1	Paperless Recorder	Brain Child / PR-20	VI/OS/PR-06	VI, Bangalore	VI/24-25/INT-ET-424	11-10-2024
2	RTD Sensor	Frontier / ---	VI/RTD-01	VI, Bangalore	VI/23-24/INT-TH-100-01	12-08-2024

Note:

- The Calibration Certificate relates only to the above DUC
- Publication or reproduction of this Certificate in any form other than by complete set of the whole report & in the language, written, is not permitted without the written consent of VI.
- Corrections/erasing, invalidate the Calibration Certificate.
- Calibration of the DUC are traceable to National standards/International Standards
- Any error in this Certificate should be brought to our knowledge within 30 days from the date of this Cert.
- Results Reported are valid at the time of and under the stated conditions of measurements.
- The usage of NABL Symbol is as per NABL guidelines given in NABL-133

Calibrated By

Shivu
Shivu

(Calibration Engineer)

Checked By

F. Kanya
Umesh D

(Onsite In Charge)

Authorised By

Gangadhar C K
Gangadhar C K

(Authorized Signatory)

CERTIFICATE OF CALIBRATION

No. 301/A, 9th Main Road, 3rd Cross, Rajiv Gandhi Nagar, J.B. Kaval, Nandhini Layout Post, Bangalore - 560 096.
Ph : 080-23377266, Mob : 9986586789 / 9632221171 / 9964308118 | Email : info@viplgroup.com Web : www.viplgroup.com

NABL Accredited Calibration Lab as per ISO/IEC 17025 : 2017 With vide Certificate No: CC-2473

Certificate No. VI/24-25/1196-02

Page: 2 of 2

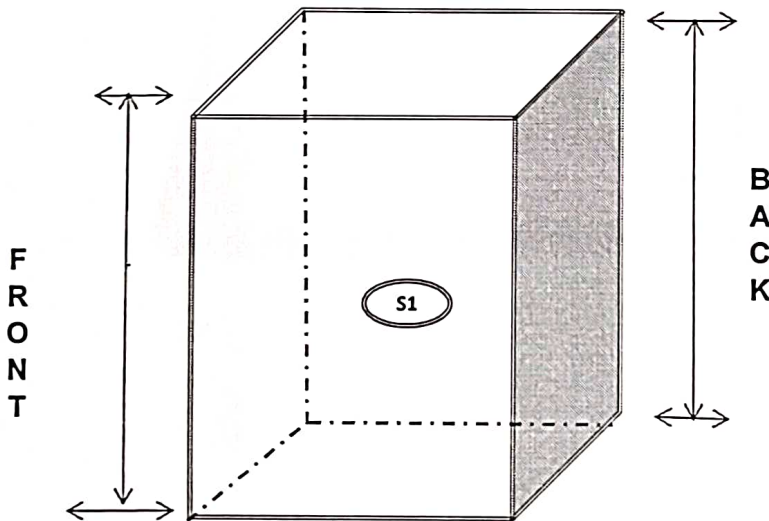
Results:

Range : 2 to 8 °C

Resolution : 0.1 °C

SI No	STD Reading (°C)	DUC Set (°C)	Error Observed (°C)	Measurement Uncertainty ± (°C)	k Factor
1	2.1	2.0	-0.1	0.732	2.0
2	4.1	4.0	-0.1	0.732	2.0
3	6.1	6.0	-0.1	0.732	2.0
4	8.2	8.0	-0.2	0.732	2.0

Pictorial Representation of Sensors Placement



Note : 1. S1 Indicates Placement of Standard Sensor

Conclusion / Remarks:

1 Measurement Uncertainty reported is at 95.45% confidence level with k = 2.

Calibrated By


Shivu

(Calibration Engineer)

Checked By


Umesh D

(Onsite In Charge)





CERTIFICATE OF CALIBRATION



No. 301/A, 9th Main Road, 3rd Cross, Rajiv Gandhi Nagar, J.B. Kaval, Nandhini Layout Post, Bangalore - 560 096.
Ph : 080-23377266, Mob : 9986586789 / 9632221171 / 9964308118 | Email : info@viplgroup.com Web : www.viplgroup.com

NABL Accredited Calibration Lab as per ISO/IEC 17025 : 2017 With vide Certificate No: CC-2473

1 Name and Address of the Customer

M/s.: Energon Health.,
703, 3rd Cross Road, HRBR Layout, 1st Block,
Kalyan Nagar, Bangalore, Karnataka - 560 043.

2 Customer Reference

2.1 ULR No : CC247324500055188F
2.2 SRF No. : 1196
2.3 Certificate No. : VI/24-25/1196-03
2.4 Format No. : VI-FRM-TH-006
2.5 Date of issue : 01-07-2024

3 Details Of Device Under Calibration(DUC).

3.1 Nomenclature : Temperature Indicator with Sensor of Refrigerator
3.2 Make / Model : Whirlpool / DC205F
3.3 Id. No. : EH/REF-03
3.4 Range / Resolution : 2 to 8 °C / 0.1 °C
3.5 DUC Condition : Satisfactory
3.6 Calibration Procedure No. : SOP-38-06
3.7 No.of Pages : 2
3.8 Calibration Date : 28-06-2024
3.9 Calibration Due : 27-06-2025
3.10 Calibration done at : Onsite
3.11 Instrument Location : Lab
3.12 Discipline : Thermal

4 Environmental Condition

Temperature 23.2 - 25.5°C Humidity 51 - 58 %RH

5 Standards Used for Temperature Calibration

Sl. No.	Nomenclature	Make / Model	ID.No	Cal Agency	Certificate. No.	Validity
1	Paperless Recorder	Brain Child / PR-20	VI/OS/PR-06	VI, Bangalore	VI/24-25/INT-ET-424	11-10-2024
2	RTD Sensor	Frontier / ---	VI/RTD-01	VI, Bangalore	VI/23-24/INT-TH-100-01	12-08-2024

Note:

- The Calibration Certificate relates only to the above DUC
- Publication or reproduction of this Certificate in any form other than by complete set of the whole report & in the language, written, is not permitted without the written consent of VI.
- Corrections/erasing, invalidate the Calibration Certificate.
- Calibration of the DUC are traceable to National standards/International Standards
- Any error in this Certificate should be brought to our knowledge within 30 days from the date of this Cert.
- Results Reported are valid at the time of and under the stated conditions of measurements.
- The usage of NABL Symbol is as per NABL guidelines given in NABL-133

Calibrated By

Shivu
(Calibration Engineer)

Checked By

Umesh D
(Onsite In Charge)



CERTIFICATE OF CALIBRATION



No. 301/A, 9th Main Road, 3rd Cross, Rajiv Gandhi Nagar, J.B. Kaval, Nandhini Layout Post, Bangalore - 560 096.
Ph : 080-23377266, Mob : 9986586789 / 9632221171 / 9964308118 | Email : info@viplgroup.com Web : www.viplgroup.com

NABL Accredited Calibration Lab as per ISO/IEC 17025 : 2017 With vide Certificate No: CC-2473

Certificate No. VI/24-25/1196-03

Page: 2 of 2

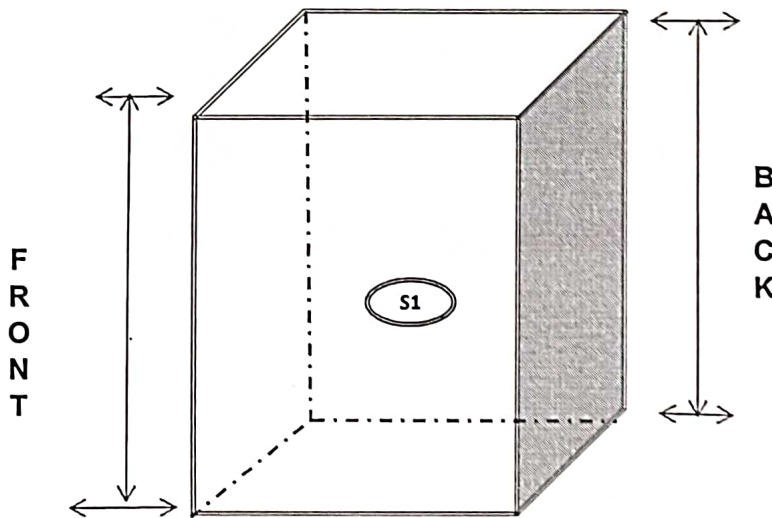
Results:

Range : 2 to 8 °C

Resolution : 0.1 °C

SI No	STD Reading (°C)	DUC Set (°C)	Error Observed (°C)	Measurement Uncertainty ± (°C)	k Factor
1	1.9	2.0	0.1	0.732	2.0
2	3.9	4.0	0.1	0.732	2.0
3	5.8	6.0	0.2	0.732	2.0
4	7.8	8.0	0.2	0.732	2.0

Pictorial Representation of Sensors Placement



Note : 1. S1 Indicates Placement of Standard Sensor

Conclusion / Remarks:

1 Measurement Uncertainty reported is at 95.45% confidence level with k = 2.

Calibrated By

Shivu
Shivu
(Calibration Engineer)

Checked By

F. Kanya
Umesh D
(Onsite In Charge)

Authorised By





CERTIFICATE OF CALIBRATION

No. 301/A, 9th Main Road, 3rd Cross, Rajiv Gandhi Nagar, J.B. Kaval, Nandhini Layout Post, Bangalore - 560 096.
Ph : 080-23377266, Mob : 9986586789 / 9632221171 / 9964308118 | Email : info@viplgroup.com Web : www.viplgroup.com

NABL Accredited Calibration Lab as per ISO/IEC 17025 : 2017 With vide Certificate No: CC-2473

1 Name and Address of the Customer : M/s. ENERCON HEALTH
#703, 3rd Cross Road, HRBR Layout , 1st Block, Kalyan Nagar,
Bangalore, Karnataka - 560 043.

2 Customer Reference
2.1 ULR No : CC247324100025788F
2.2 SRF No : 2862
2.3 Certificate No. : VI/24-25/2862-01
2.4 Format No. : VI-FRM-ME-073
2.5 Dc No & Dc Date : Ref Letter & 28-06-2024
2.6 Receipt Date : 29-06-2024
2.7 Date Of Issue : 02-07-2024

3 Details Of Device Under Calibration(DUC).
3.1 Nomenclature : Micro Pipette
3.2 Make. : Merilette
3.3 Range. : 5 - 50µl
3.4 SL No. : 317582
3.5 DUC Condition : Satisfactory
3.6 Calibration Procedure No. : SOP-16-71 Based On ISO 8655-6:2022 E
3.7 No.of Pages : 2
3.8 Calibration Date : 02-07-2024
3.9 Calibration Due : 01-07-2025
3.10 Calibration done at : VI Volumetric Lab
3.11 Discipline : Mechanical (Mass & volume)

4 Environmental Condition
4.1 Temperature 21.4 - 21.7 °C Humidity 58.3 - 58.6 %RH

5 Standards Used for calibration

Sl. No.	Nomenclature	Make / Model	SL No / ID No	Range	Certificate. No.	Traceability to	Validity
1	Digital Weighing Balance	Radwag / XA 82/220.4Y	551565 / VI/ME/DWB-03	up to 220g	VI/23-24/INT-ME-118	VI Bangalore	13-09-2024
2	Digital Weighing Balance	Radwag / MYA5.4Y	544953 / VI/ME/DWB/02	up to 5g	VI/23-24/INT-ME-121	VI Bangalore	13-09-2024
3	E2 Class Weights	LCGC /--	2020136 / VI-ME-E2C-001	1mg to 200g	TYCON/W/07/2023/6 57	TYCON Haryana	04-07-2024

6 Note:

- 6.1. The Calibration Certificate relates only to the above DUC
- 6.2. Publication or reproduction of this Certificate in any form other than by complete set of the whole report & in the language, written, is not permitted without the written consent of VI Lab..
- 6.3. Corrections/erasing, invalidate the Calibration Certificate.
- 6.4. Calibration of the DUC are traceable to National standards/International Standards
- 6.5. Any error in this Certificate should be brought to our knowledge within 30 days from the date of this Cert.
- 6.6. Results Reported are valid at the time of and under the stated conditions of measurements
- 6.7. The usage of NABL symbol is as per NABL guidelines given in NABL-133.

Calibrated By

Lohithkumar K.E
(Calibration Engineer)

Checked By

Ranjith Kumar P
(Lab-In-Charge)

Authorized By

Gangadhar C.K

CERTIFICATE OF CALIBRATION

No. 301/A, 9th Main Road, 3rd Cross, Rajiv Gandhi Nagar, J.B. Kaval, Nandhini Layout Post, Bangalore - 560 096.
Ph : 080-23377266, Mob : 9986586789 / 9632221171 / 9964308118 | Email : info@viplgroup.com Web : www.viplgroup.com

NABL Accredited Calibration Lab as per ISO/IEC 17025 : 2017 With vide Certificate No: CC-2473

Certificate No: VI/24-25/2862-01

Page 2 of 2

Range: 5 - 50 μ l

Results:

Range	Cal Point	Volume observed	Expanded Uncertainty \pm
	μ l	μ l	μ l
5 - 50 μ l	5	5.009	0.03
	20	20.25	0.05
	50	50.53	0.17

Note:

1. Visual Inspection : Found Well.
2. Tripple Distilled water is used to Calibrate the MicroPipette.


Conclusion /Remarks:

1. Ref. standard used are traceable to National/International Standard
2. The Expanded Uncertainty of associated with measurement at approximate 95.45% confidence level with coverage factor k=2

Calibrated By


Lohithkumar K.E
(Calibration Engineer)

Checked By


Ranjith Kumar P
(Lab In-Charge)

Authorized By


Gangadhar C.K



CERTIFICATE OF CALIBRATION



No. 301/A, 9th Main Road, 3rd Cross, Rajiv Gandhi Nagar, J.B. Kaval, Nandhini Layout Post, Bangalore - 560 096.
Ph : 080-23377266, Mob : 9986586789 / 9632221171 / 9964308118 | Email : info@viplgroup.com Web : www.viplgroup.com

NABL Accredited Calibration Lab as per ISO/IEC 17025 : 2017 With vide Certificate No: CC-2473

Page 1 of 2

1 Name and Address of the Customer : M/s. ENERCON HEALTH
#703, 3rd Cross Road, HRBR Layout , 1st Block, Kalyan Nagar,
Bangalore, Karnataka - 560 043.

2 Customer Reference

2.1 ULR No : CC247324100025789F
2.2 SRF No : 2862
2.3 Certificate No. : VI/24-25/2862-02
2.4 Format No. : VI-FRM-ME-073
2.5 Dc No & Dc Date : Ref Letter & 28-06-2024
2.6 Receipt Date : 29-06-2024
2.7 Date Of Issue : 02-07-2024

3 Details Of Device Under Calibration(DUC).

3.1 Nomenclature : Micro Pipette
3.2 Make & Model. : Kgappe / Mispa-I
3.3 Range. : 20- 200µl
3.4 SL No. : NW03097
3.5 DUC Condition : Satisfactory
3.6 Calibration Procedure No. : SOP-16-71 Based On ISO 8655-6:2022 E
3.7 No.of Pages : 2
3.8 Calibration Date : 02-07-2024
3.9 Calibration Due : 01-07-2025
3.10 Calibration done at : VI Volumetric Lab
3.11 Discipline : Mechanical (Mass & volume)

4 Environmental Condition

4.1 Temperature 22.3 - 22.6 °C Humidity 58.3 - 58.6 %RH

5 Standards Used for calibration

Sl. No.	Nomenclature	Make / Model	SL No / ID No	Range	Certificate. No.	Traceability to	Validity
1	Digital Weighing Balance	Radwag / XA 82/220.4Y	551565 / VI/ME/DWB-03	up to 220g	VI/23-24/INT-ME-118	VI Bangalore	13-09-2024
2	E2 Class Weights	LCGC / --	2020136 / VI-ME-E2C-001	1mg to 200g	TYCON/W/07/2023/6 57	TYCON Haryana	04-07-2024

6 Note:

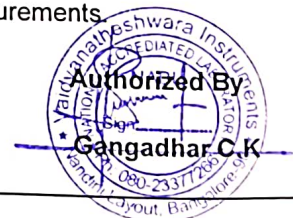
- The Calibration Certificate relates only to the above DUC
- Publication or reproduction of this Certificate in any form other than by complete set of the whole report & in the language, written, is not permitted without the written consent of VI Lab..
- Corrections/erasing, invalidate the Calibration Certificate.
- Calibration-of the DUC are traceable to National standards/International Standards
- Any error in this Certificate should be brought to our knowledge within 30 days from the date of this Cert.
- Results Reported are valid at the time of and under the stated conditions of measurements
- The usage of NABL symbol is as per NABL guidelines given in NABL-133.

Calibrated By

[Signature]
Lonith Kumar K.E
(Calibration Engineer)

Checked By

[Signature]
Ranjith Kumar P
(Lab-In-Charge)





CERTIFICATE OF CALIBRATION



No. 301/A, 9th Main Road, 3rd Cross, Rajiv Gandhi Nagar, J.B. Kaval, Nandhini Layout Post, Bangalore - 560 096.
Ph : 080-23377266, Mob : 9986586789 / 9632221171 / 9964308118 | Email : info@viplgroup.com Web : www.viplgroup.com

NABL Accredited Calibration Lab as per ISO/IEC 17025 : 2017 With vide Certificate No: CC-2473

Certificate No: VI/24-25/2862-02

Page 2 of 2

Range: 20- 200µl

Results:

Range	Cal Point	Volume observed	Expanded Uncertainty ±
	µl	µl	µl
20- 200µl	20	20.29	0.05
	100	100.82	0.27
	200	199.59	1.3

Note:

1. Visual Inspection : Found Well.
2. Tripple Distilled water is used to Calibrate the MicroPipette.

Conclusion /Remarks:

1. Ref. standard used are traceable to National/International Standard
2. The Expanded Uncertainty of associated with measurement at approximate 95.45% confidence level with coverage factor k=2

Calibrated By

Lohithkumar K.E
(Calibration Engineer)

Checked By

Ranjith Kumar P
(Lab- In-Charge)





CERTIFICATE OF CALIBRATION



No. 301/A, 9th Main Road, 3rd Cross, Rajiv Gandhi Nagar, J.B. Kaval, Nandhini Layout Post, Bangalore - 560 096.
Ph : 080-23377266, Mob : 9986586789 / 9632221171 / 9964308118 | Email : info@viplgroup.com Web : www.viplgroup.com

NABL Accredited Calibration Lab as per ISO/IEC 17025 : 2017 With vide Certificate No: CC-2473

1 Name and Address of the Customer M/s.: Energon Health.,
703, 3rd Cross Road, HRBR Layout, 1st Block,
Kalyan Nagar, Bangalore, Karnataka - 560 043.

2 Customer Reference

2.1 ULR No. : CC247324500055190F
2.2 SRF No : 1196
2.3 Certificate No. : VI/24-25/1196-05
2.4 Format No. : VI-FRM-ME-060 & VI-FRM-ET-011
2.5 Date of Issue : 01-07-2024

3 Details Of Device Under Calibration(DUC).

3.1 Nomenclature : Centrifuge
3.2 Make / Model : Remi / R-8C
3.3 Id.No. / SI.No. : EH/CF-01 / EGLC6669
3.4 DUC Condition : Satisfactory
3.5 Calibration Procedure No. : SOP-16- 55 & SOP-37-11
3.6 No.of Pages : 2
3.7 Calibration Date : 28-06-2024
3.8 Calibration Due : 27-06-2025
3.9 Calibration done at : Onsite
3.10 Instrument Location : Lab
3.11 Discipline : Mechanical, Electro-Technical

4 Environmental Condition

Temperature 23.2 - 24.5°C Humidity 50 - 56 %RH

5 Standards Used for calibration

Sl. No.	Nomenclature	Make / Model	Id.No / SI.No.	Cal At	Certificate No.	Validity
1	Digital Tachometer	Mextech / DT-2234C	VI/OS/DTCM/01 / —	VI Bangalore	VI/23-24/INT-ME-501	13-10-2024
2	Digital Timer	Selec / TI103	— / 1911T10-159	VI Bangalore	VI/23-24/INT-DT-01	13-09-2024

6 Notes:

- 6.1. The Calibration Certificate relates only to the above DUC
- 6.2. Publication or reproduction of this Certificate in any form other than by complete set of the whole report & in the language, written, is not permitted without the written consent of VI Lab.
- 6.3. Corrections/erasing, invalidate the Calibration Certificate.
- 6.4. Calibration of the DUC are traceable to National standards/International Standards
- 6.5. Any error in this Certificate should be brought to our knowledge within 30 days from the date of this Cert.
- 6.6. Results Reported are valid at the time of and under the stated conditions of measurements.
- 6.7. The usage of NABL Symbol is as per NABL guidelines given in NABL-133

Calibrated By

Shivu

Shivu

(Calibration Engineer)

Checked By

F. Kavay

Umesh D

(Onsite In Charge)

Authorized By

Gangadhar C K

Gangadhar C K

CERTIFICATE OF CALIBRATION



No. 301/A, 9th Main Road, 3rd Cross, Rajiv Gandhi Nagar, J.B. Kaval, Nandhini Layout Post, Bangalore - 560 096.
Ph : 080-23377266, Mob : 9986586789 / 9632221171 / 9964308118 | Email : info@viplgroup.com Web : www.viplgroup.com

NABL Accredited Calibration Lab as per ISO/IEC 17025 : 2017 With vide Certificate No: CC-2473

Certificate No. VI/24-25/1196-05

Page No: 2 of 2

RPM Results:

Range: 0 to 4500 RPM

Resolution: 10 RPM

Sl. No.	Std Reading (RPM)	DUC Reading (RPM)	Error Observed in (RPM)	Measurement Uncertainty in \pm (%)	k Factor
1	100.2	100	-0.2	5.833	2.0
2	200.6	200	-0.6		2.0
3	500.8	500	-0.8		2.0
4	1001	1000	-1		2.0
5	2003	2000	-3		2.0
6	4504	4500	-4		2.0

Timer Results:

Range: 0 to 99 min

Resolution: 1 min

Sl. No.	Std Reading (hr:min:sec:msec)	DUC Reading (min)	Error Observed in (hr:min:sec:msec)	Measurement Uncertainty in \pm (%)	k Factor
1	00:00:00:000	0	00:00:00:000	----	----
2	00:01:00:032	1	-00:00:00:032	0.05	2.0
3	00:05:00:041	5	-00:00:00:041	0.05	2.0
4	00:10:00:073	10	-00:00:00:073	0.05	2.0
5	00:30:00:096	30	-00:00:00:096	0.05	2.0
6	01:00:00:108	60	-00:00:00:108	0.05	2.0
7	01:35:00:134	95	-00:00:00:134	0.05	2.0

Conclusion :-

1. Measurement uncertainty reported is at 95.45 % confidence level.

Calibrated By


Shivu
(Calibration Engineer)

Checked By


Umesh D
(Onsite In Charge)

Authorized By


Gangadhar C K